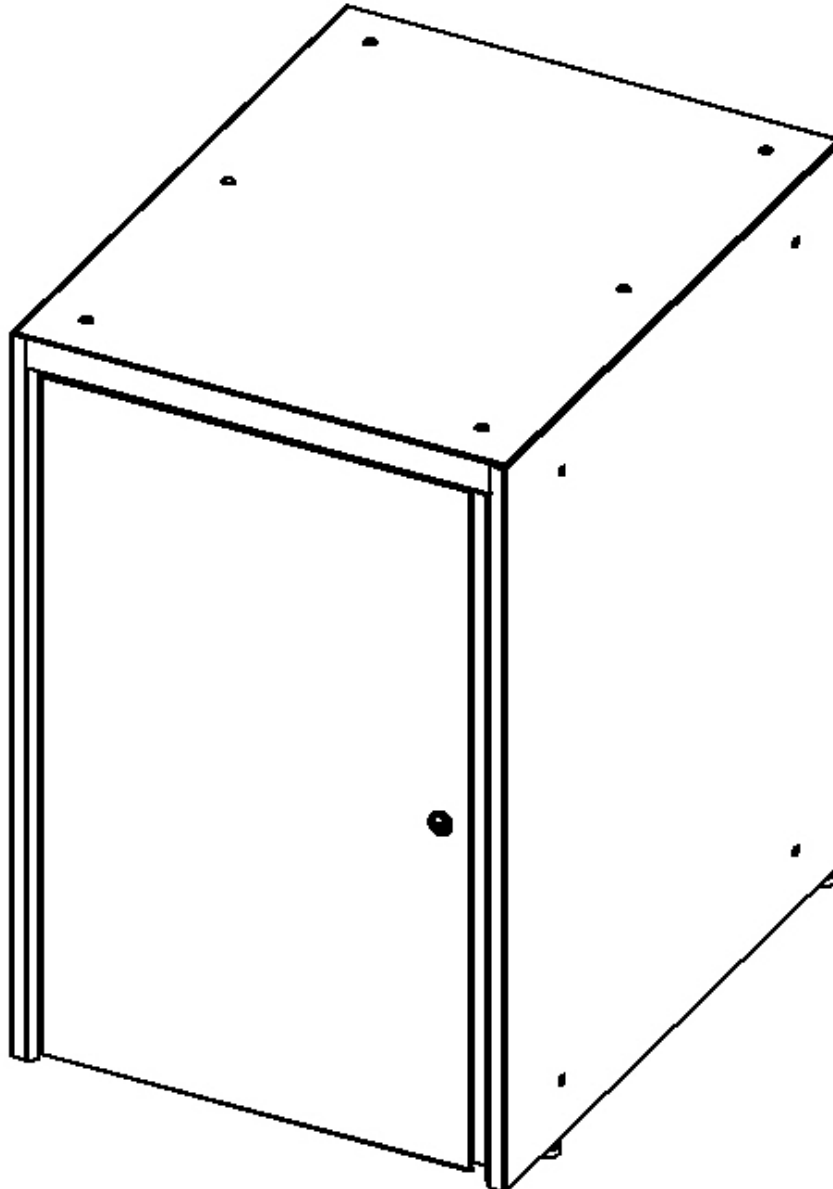


Installing the Cart Garage Cabinet



Installing the Cart Garage Cabinet



General Information:

The following provides step-by-step instructions for assembling and installing the Automotive Cart Garage Cabinet under a work surface or as a stand alone unit. The finished assembly will consist of the following:

The cabinet ships assembled with door, glides or feet and post spacer plate/floor anchor and mounting hardware

When received installation will be required for the Cart Garage Cabinet.

Before Installation:

Before you begin installing the Cart Garage Cabinet read through the entire assembly instructions to familiarize yourself with the assembly/installation process.

When installing the Automotive Cart Garage Cabinet it is important to follow the same sequence as described in this manual.

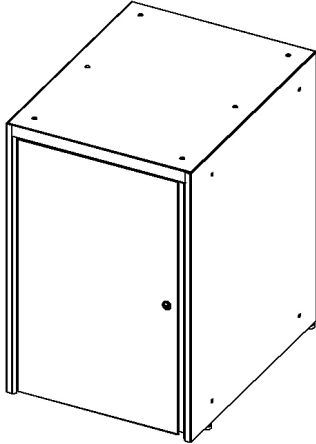
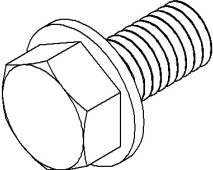
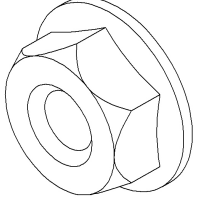
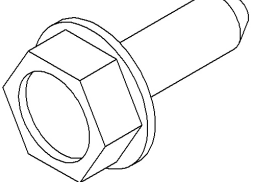
Installing the Cart Garage Cabinet



Under Workbench Installation:

Tools Required:

- Drill and 13/64 (0.203”) drill bit
- Safety glasses
- 3/8” and 1/2” sockets, open end or adjustable wrenches
- Flathead screwdriver or center punch
- Hammer
- Pliers
- Adjustable wrench (large)
- Level

Item	Description	Qty.	Picture
1	Cart Garage Cabinet	1	
2	5/16-18 x 5/8” Serrated Washer Head Hex Bolt	8	
3	5/16-18 Serrated Washer Head Hex Nut	8	
4	5/16 x 1 1/4” Hex Washer Head Lag Screw	4	

Installing the Cart Garage Cabinet



Under Workbench Installation:

1. Identify and punch out all (6) flush knockouts towards the inside of the cabinet using a hammer and flat head screwdriver or center punch (all flush knockouts are located on the top of the cabinet)
2. Completely remove any knockouts still hanging on, located inside the cabinet on the bottom side of the top cover using a pair of pliers
3. Determine Garage Cabinet location under work surface and do the following:
 - If location is between (2) cabinets, remove all (4) stem leveling glides or stainless steel feet from bottom of garage
 - If location is at the end of a run, remove only the (2) front and rear stem glides or stainless steel feet that would be next to another cabinet (ex. if Garage Cabinet is at left end of run/bench remove both stem glides or S.S. feet from right side only)
 - If (2) or more Garage Cabinets are to be mounted next to each other one of them can keep the stem glides or S.S feet installed but ONLY under the side where the two cabinets butt against each other
4. Locate Garage Cabinet under worksurface where desired, between other Cabinets or at the end of a run of cabinets
5. Loosely bolt Garage Cabinet to both adjacent cabinets through front and rear holes in both sides on top and bottom using (8) included 5/16-18 x 5/8" serrated washer hex head bolts and (8) included 5/16-18 serrated washer hex nuts with 1/2" socket
6. Mark bottom of work surface through (4) holes in Cabinet top cover (two front set of holes and either center or rear set), center punch and drill both holes 3/4" deep using a 13/64 (0.203") drill bit (safety glasses must be worn when drilling)
7. Secure Garage Cabinet to bottom of work surface using (4) included 5/16 x 1 1/4" hex washer head lag screws with 1/2" socket
8. Fully tighten all (8) nuts and bolts installed in Step 4 with 1/2" socket
9. If Garage has leveling glides or feet level it using an adjustable wrench and level

Installing the Cart Garage Cabinet

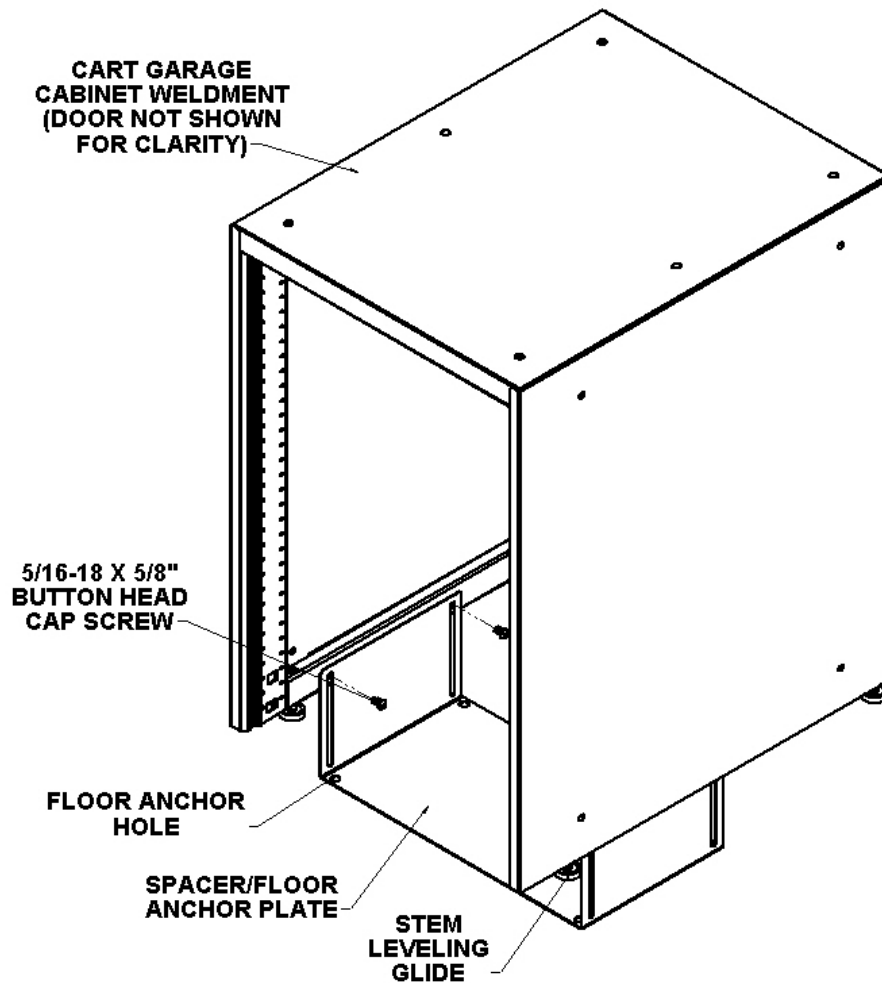
Stand Alone Installation:

Tools Required:

- Adjustable wrench (large)
- Level
- 3/16 Allen wrench

1. All (4) stem leveling glides or stainless steel leveling feet remain installed for stand alone Garage Cabinet
2. Level Garage Cabinet using an adjustable wrench and level

Post Spacer Plate/Floor Anchor Adjustment:



Spacer/Floor Anchor Adjustment:

1. Loosen Button Head Cap Screws using a 3/16" allen wrench enough to allow Spacer Plate to move up or down by hand
2. Lower Spacer Plate until it completely rests on the floor
3. Tighten all Button head Cap Screws using a 3/16" allen wrench
4. (4) holes in bottom of Spacer Plate are to be used for anchoring to the floor, if desired, floor anchor bolts are not included

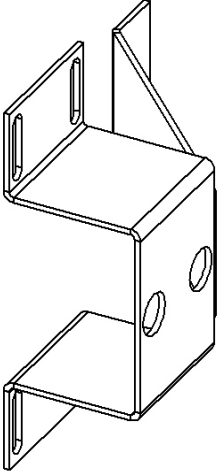
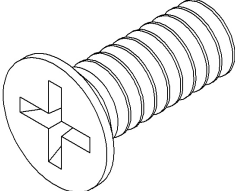
Installing the Cart Garage Cabinet



Door Hinge Guard Assembly

Tools Required:

- Phillips head screwdriver

Item	Description	Qty.	Picture
1	Hinge Guard	1 per hinge	
2	#10-24 x 1/2" 100 Degree Phillips Taptite Flat Head Screw	4 per hinge guard	

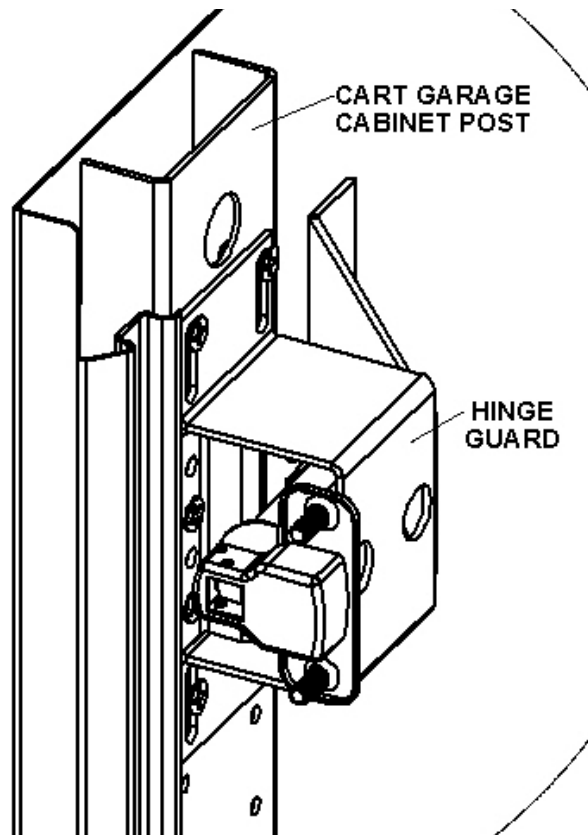
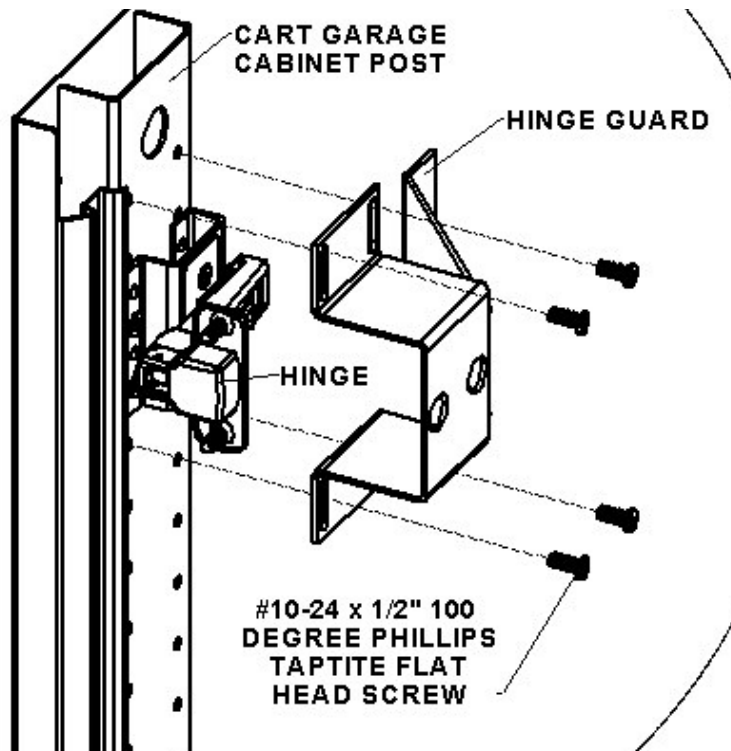
Hinge Guard Assembly Steps:

1. Locate Hinge Guard over hinge (orient as shown)
2. Screw Hinge Guard to Cart Garage Cabinet Post using (4) included #10-24 x 1/2" 100 Degree Phillips Taptite Flat Head Screws

Installing the Cart Garage Cabinet



Door Hinge Guard Assembly



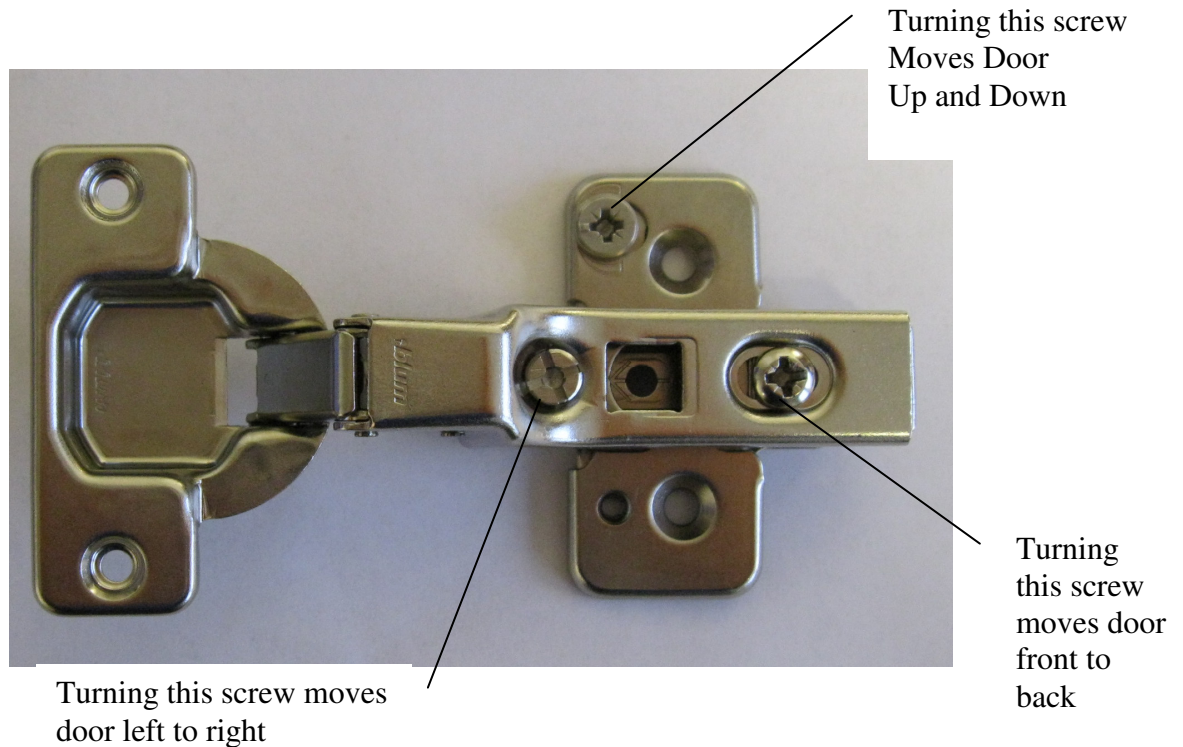
Installing the Cart Garage Cabinet



Door Alignment Hinge Adjustment (moving Door Left to Right, Up and Down and Front to Back):

Tools Required:

- Phillips head screwdriver



Turning the individual screws located on each Hinge clockwise or counterclockwise will move the door left to right, front to back or up and down (see image).

Notes:

- Cart Garage Cabinet can be mounted between (2) cabinets, at the end of a run of cabinets or as a stand alone unit
- Garage cabinet must be bolted to bottom of work surface and adjacent cabinet(s)
- Door used for Cart Garage Frame is the same door used on the Cart Garage Cabinet

Installing the Cart Garage Cabinet



Making Workspace Work™ is a trademark of Lista International Corporation.

Document Number: MD067A3 Rev 0

Print Date: December 2010

These instructions and other assembly instructions may be found on Lista International Corporation's web site, <http://www.listaintl.com>. For questions or Technical Support, please call 1-800-722-3020

This manual is proprietary information of Lista International Corporation. Unauthorized reproduction of any portion of this manual is prohibited without the written consent of Lista International Corporation. The material in this manual is for informational purposes only. It is subject to change without notice. Lista International Corporation assumes no responsibility for any typographical errors contained in this manual.

Lista International Corporation
106 Lowland Street
Holliston, MA 01746-2094
Toll Free: (800) 722-3020
Phone: (508) 429-1350
E-mail: sales@listaintl.com
Web: <http://www.listaintl.com/>

ISO 9001 Certified

© 2010 Lista International Corporation
All rights reserved.