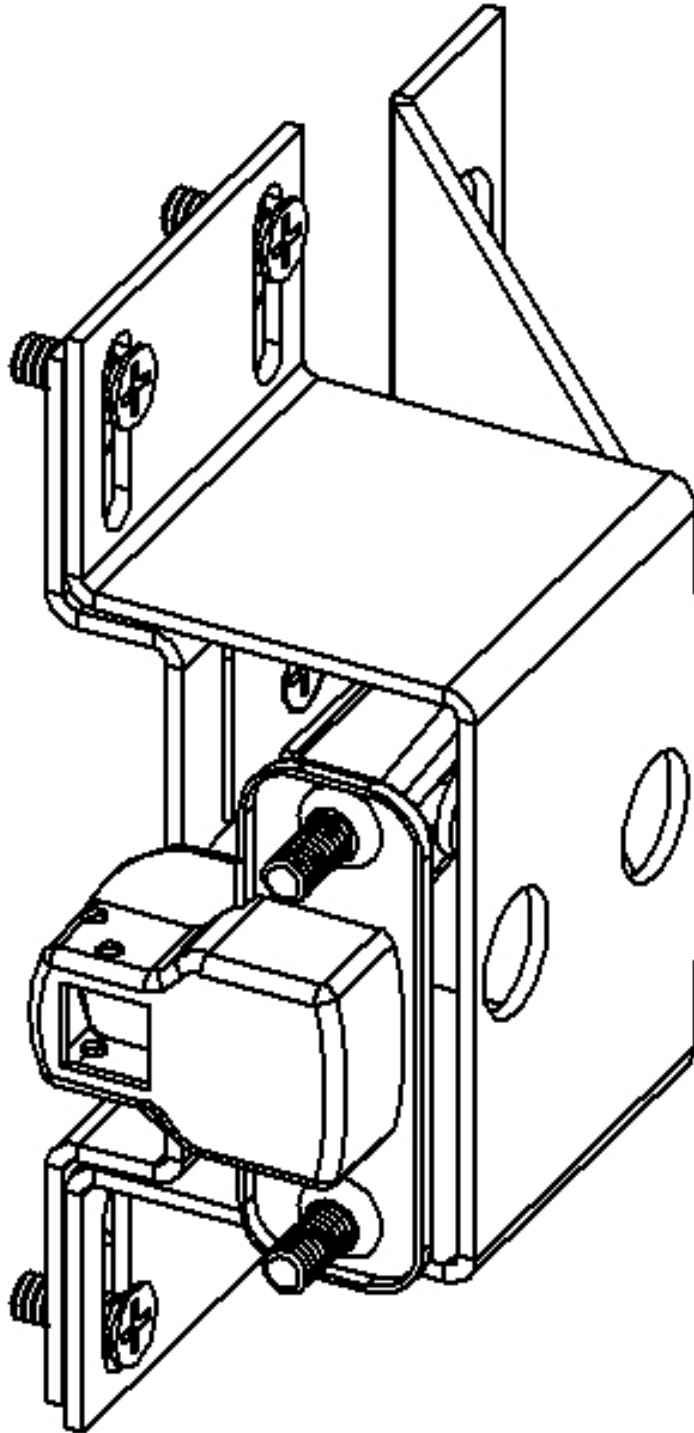


# Installing the Cart Garage Door Hinge Guard



# Installing the Cart Garage Door Hinge Guard



## **General Information:**

The following provides step-by-step instructions for installing the Hinge Guard into an Automotive Cart Garage Cabinet or Frame.

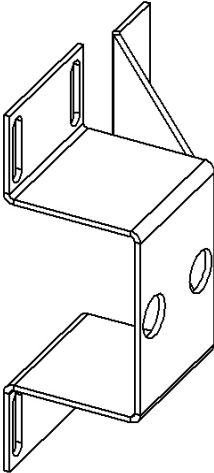
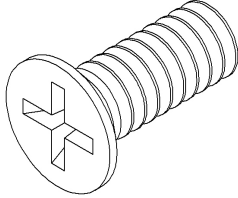
## **Before Installation:**

Before you begin installing the Hinge Guards read through the entire assembly instructions to familiarize yourself with the installation process.

When installing the hinge guards it is important to follow the same sequence as described in this manual.

## **Tools Required:**

- Phillips head screwdriver

Item	Description	Qty.	Picture
1	Hinge Guard	1 per hinge	
2	#10-24 x 1/2" 100 Degree Phillips Taptite Flat Head Screw	4 per hinge guard	

## **Hinge Guard Assembly Steps:**

1. Locate Hinge Guard over hinge (orient as shown)
2. Screw Hinge Guard to Cart Garage Post using (4) included #10-24 x 1/2" 100 Degree Phillips Taptite Flat Head Screws

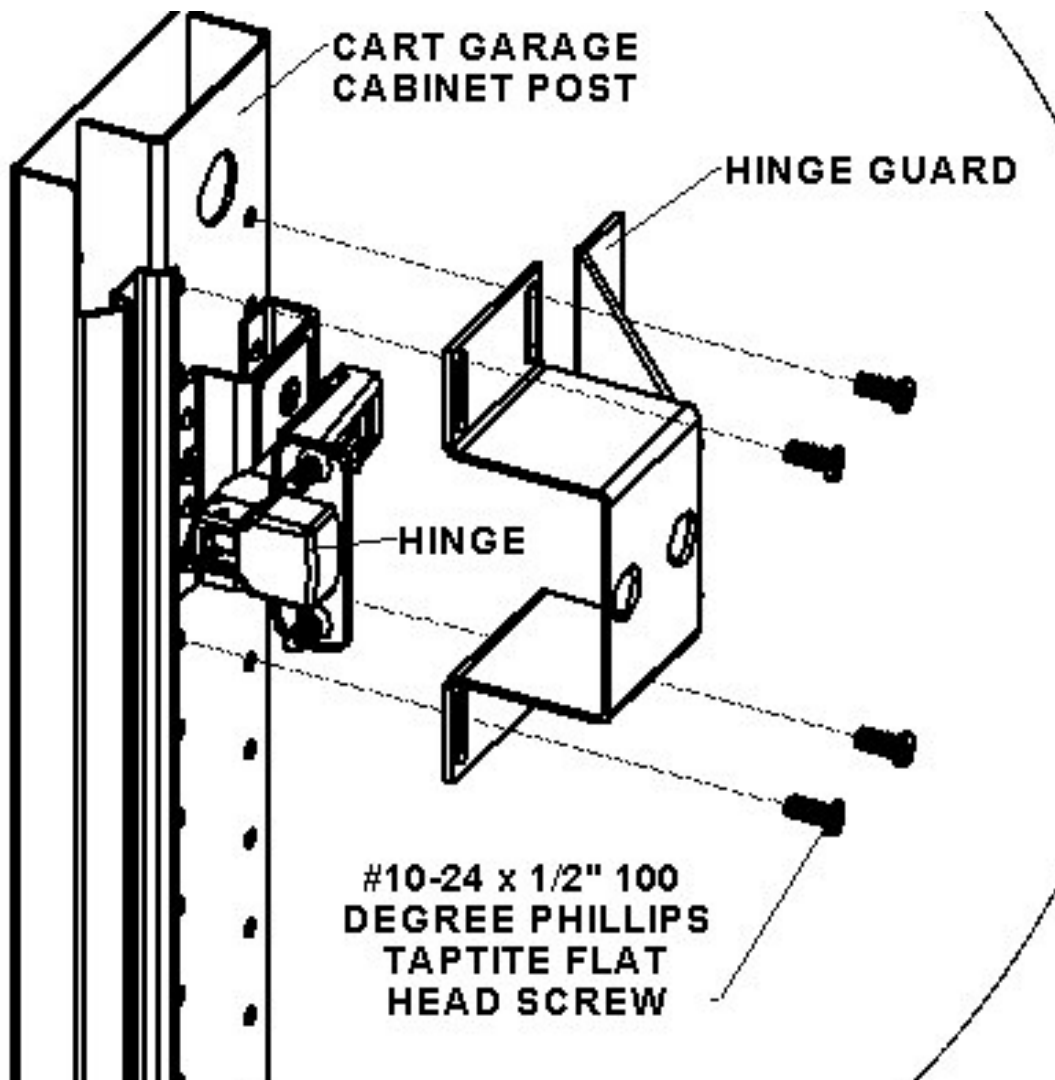
# Installing the Cart Garage Door Hinge Guard



## Exploded View of Hinge Guard Installation on latest Design Hinge Mounting Bracket:

### Notes:

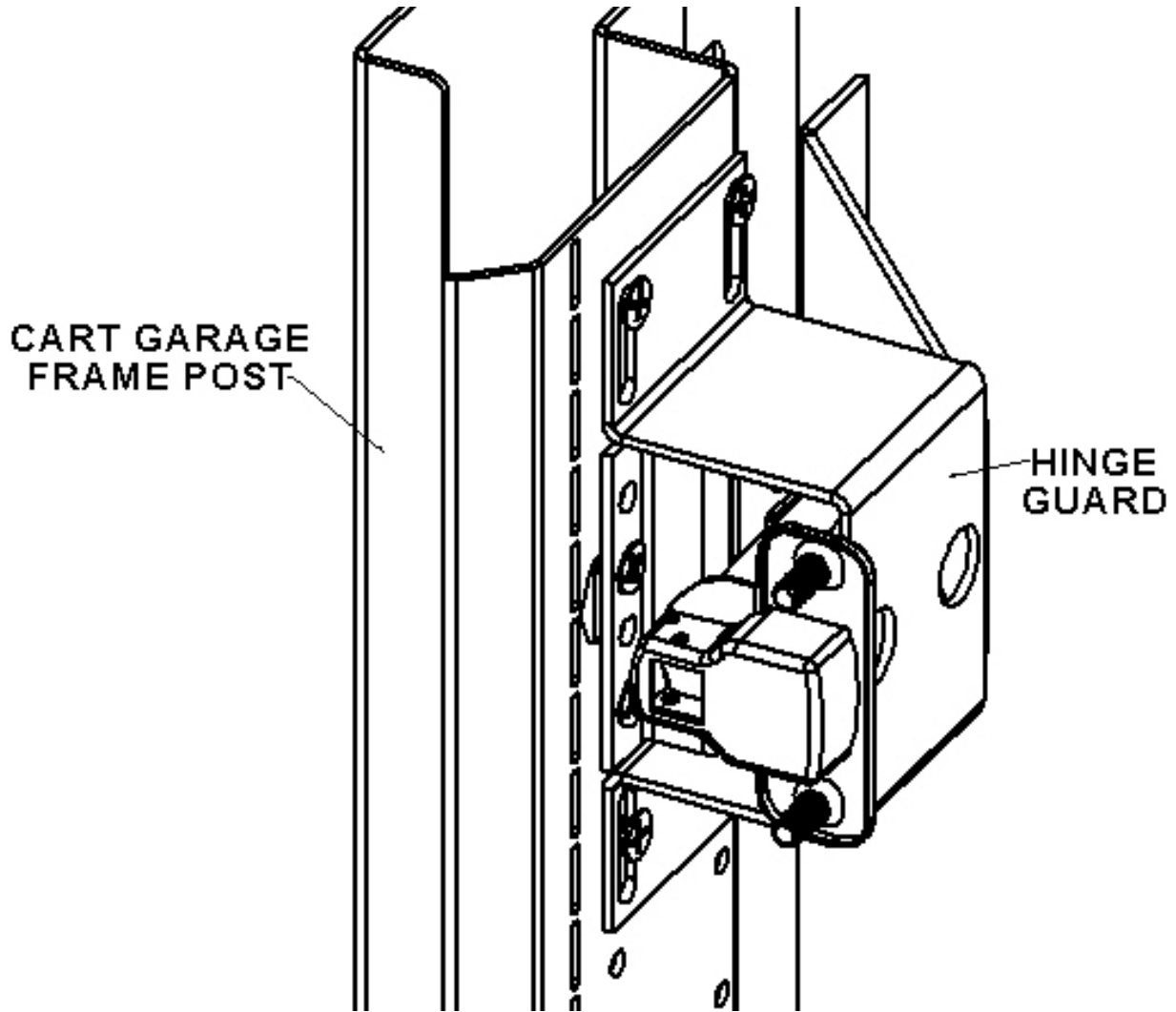
- No hole on end of angled flange indicates proper Hinge Guard to be used with latest design Hinge Mounting bracket
- Mounting Screws bolt through Hinge Guard and into post



# Installing the Cart Garage Door Hinge Guard



Assembled View of Hinge Guard Installed on Latest Design Hinge Mounting Bracket:



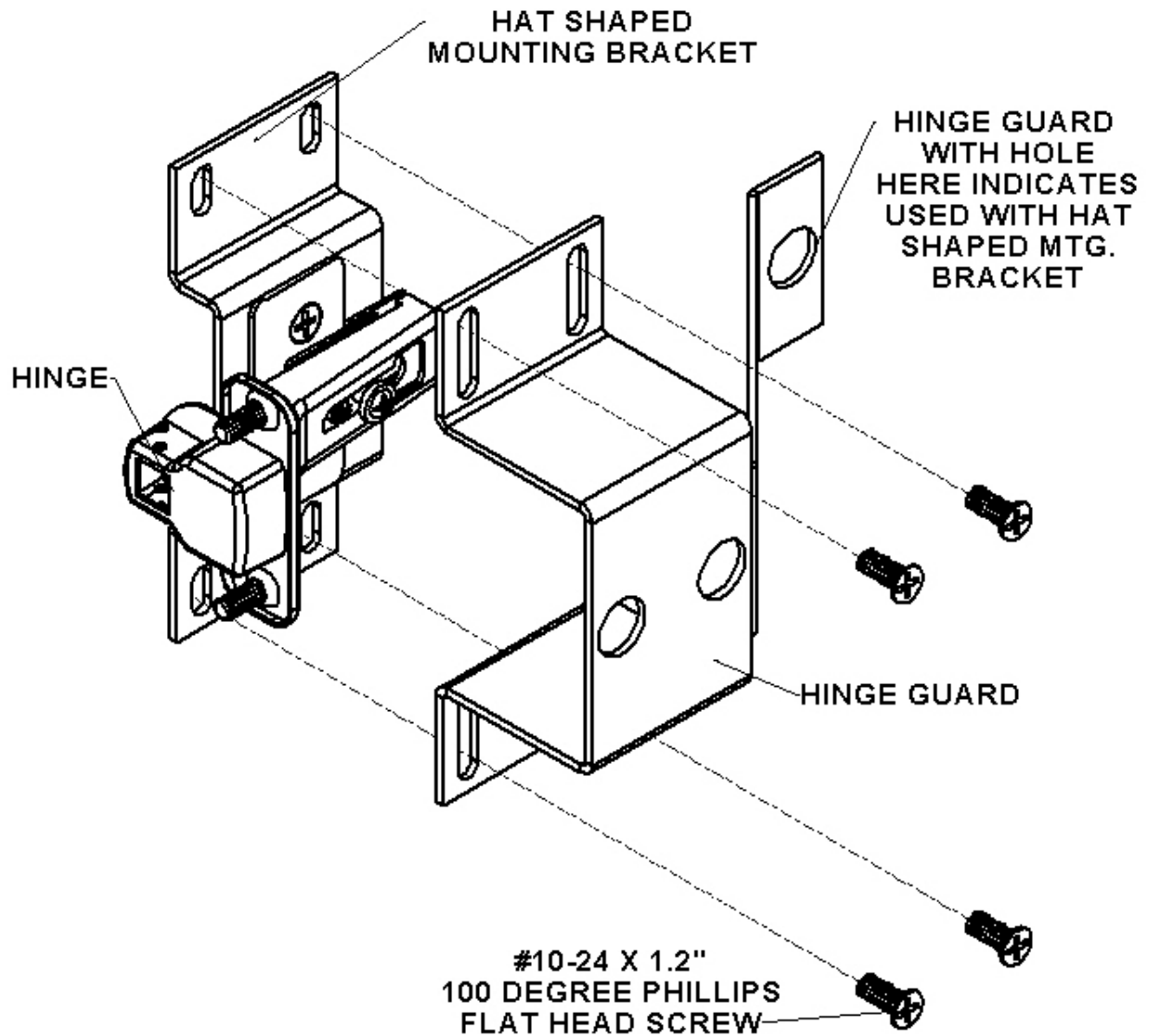
# Installing the Cart Garage Door Hinge Guard



## Exploded View of Hinge Guard Installation onto old design Hat Shaped Hinge Mounting Bracket:

### Notes:

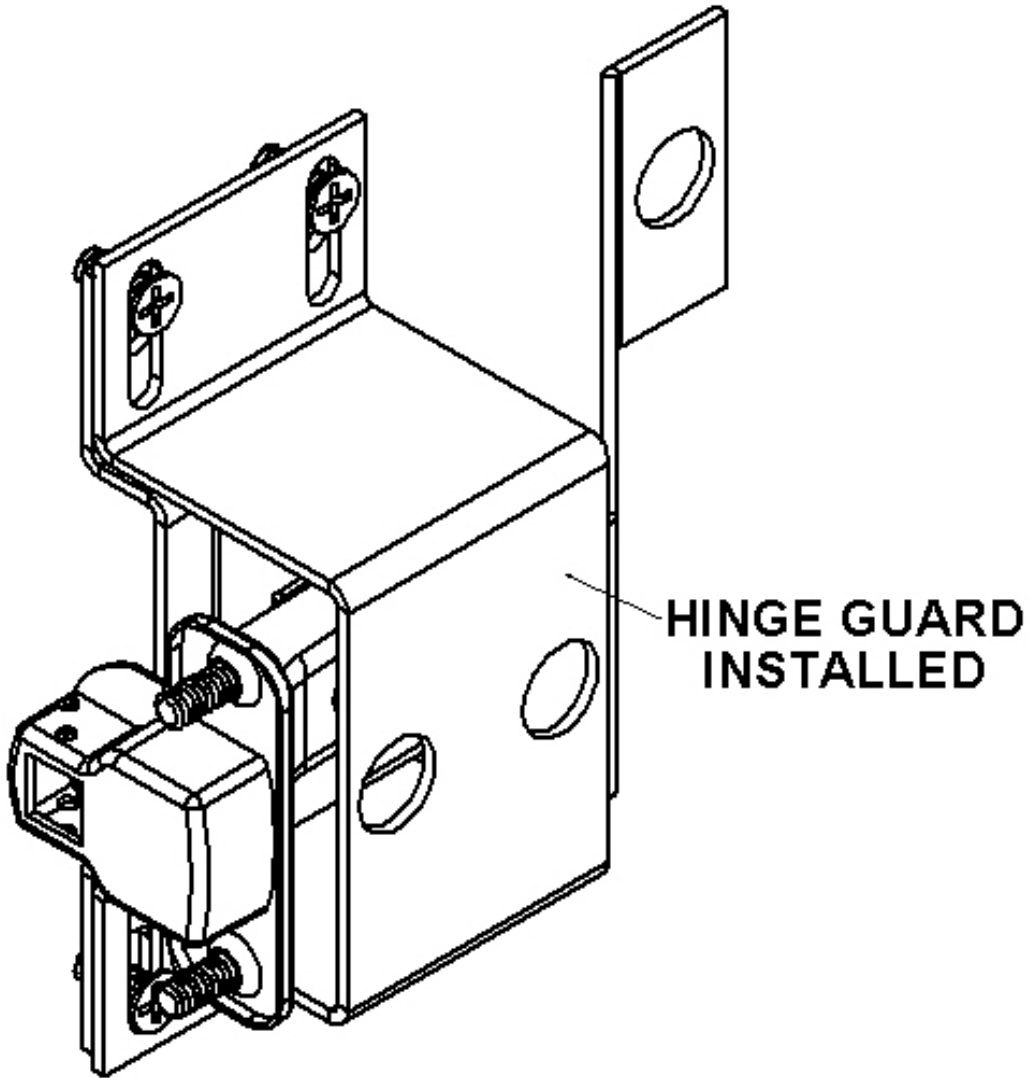
- Hole on end of angled flange indicates proper Hinge Guard to be used with old design Hat Shaped Mounting bracket
- Mounting Screws bolt through Hinge Guard and Hat Shaped Mounting Bracket and into post



# Installing the Cart Garage Door Hinge Guard



**Assembled View of Hinge Guard Installed on old Design Hat Shaped Hinge Mounting Bracket:**



# Installing the Cart Garage Door Hinge Guard



Making Workspace Work™ is a trademark of Lista International Corporation.

Document Number: MD069A3 Rev 0

Print Date: December 2010

These instructions and other assembly instructions may be found on Lista International Corporation's web site, <http://www.listaintl.com>. For questions or Technical Support, please call 1-800-722-3020

This manual is proprietary information of Lista International Corporation. Unauthorized reproduction of any portion of this manual is prohibited without the written consent of Lista International Corporation. The material in this manual is for informational purposes only. It is subject to change without notice. Lista International Corporation assumes no responsibility for any typographical errors contained in this manual.

Lista International Corporation  
106 Lowland Street  
Holliston, MA 01746-2094  
Toll Free: (800) 722-3020  
Phone: (508) 429-1350  
E-mail: [sales@listaintl.com](mailto:sales@listaintl.com)  
Web: <http://www.listaintl.com/>

ISO 9001 Certified

© 2010 Lista International Corporation  
All rights reserved.