

HOSE REEL CABINET

Instructions for Assembly



I. Introduction:

This manual provides step-by-step instructions for installing hose reel hanger kits into Lista™ cabinets. When received, the cabinet will be fully assembled, with the exception of the hose reel hanger kits. **Please note that hose reels are not included and roller guides can be ordered through Lista or purchased separately from an outside supplier.** Depending on cabinet width, up to four (4) different mounting patterns can be accommodated.

Before assembly read through these instructions and familiarize yourself completely with the order in which parts are assembled. **It is important that components be assembled in the same sequence as described in this manual.**

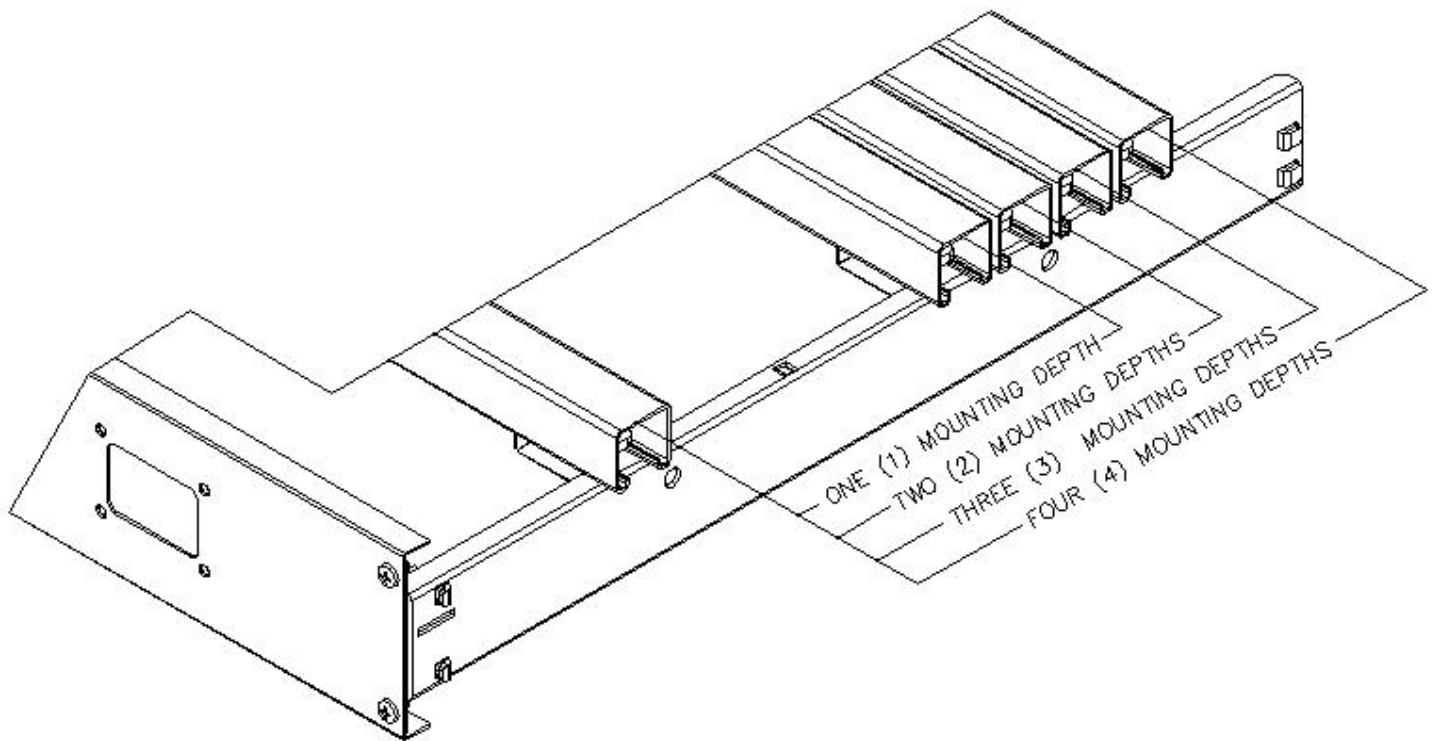
II. Hose Reel Mounting Pattern:

All mounting patterns are determined by the mounting plate of each individual hose reel. Specifically it depends on the distance (depth-wise) between the mounting holes. The width of the holes has no effect on the mounting pattern. See below

Three (3) hanger kits are included with each hose reel cabinet. This will let you set up either one (1) or two (2) different mounting depths. If required, additional hanger kits can be ordered.

A hanger kit consists of: one (1) Unistrut channel, two (2) mounting brackets, and all mounting hardware (see illustration below) To determine the number of hanger kits needed, take the total number of mounting pattern depths and add one (1)

For example: one (1) mounting depth requires two (2) hanger kits. Two (2) mounting depths require (3) hanger kits Front Unistrut is to remain fixed. Mounting patterns are determined by placement of the rear beams – see view below

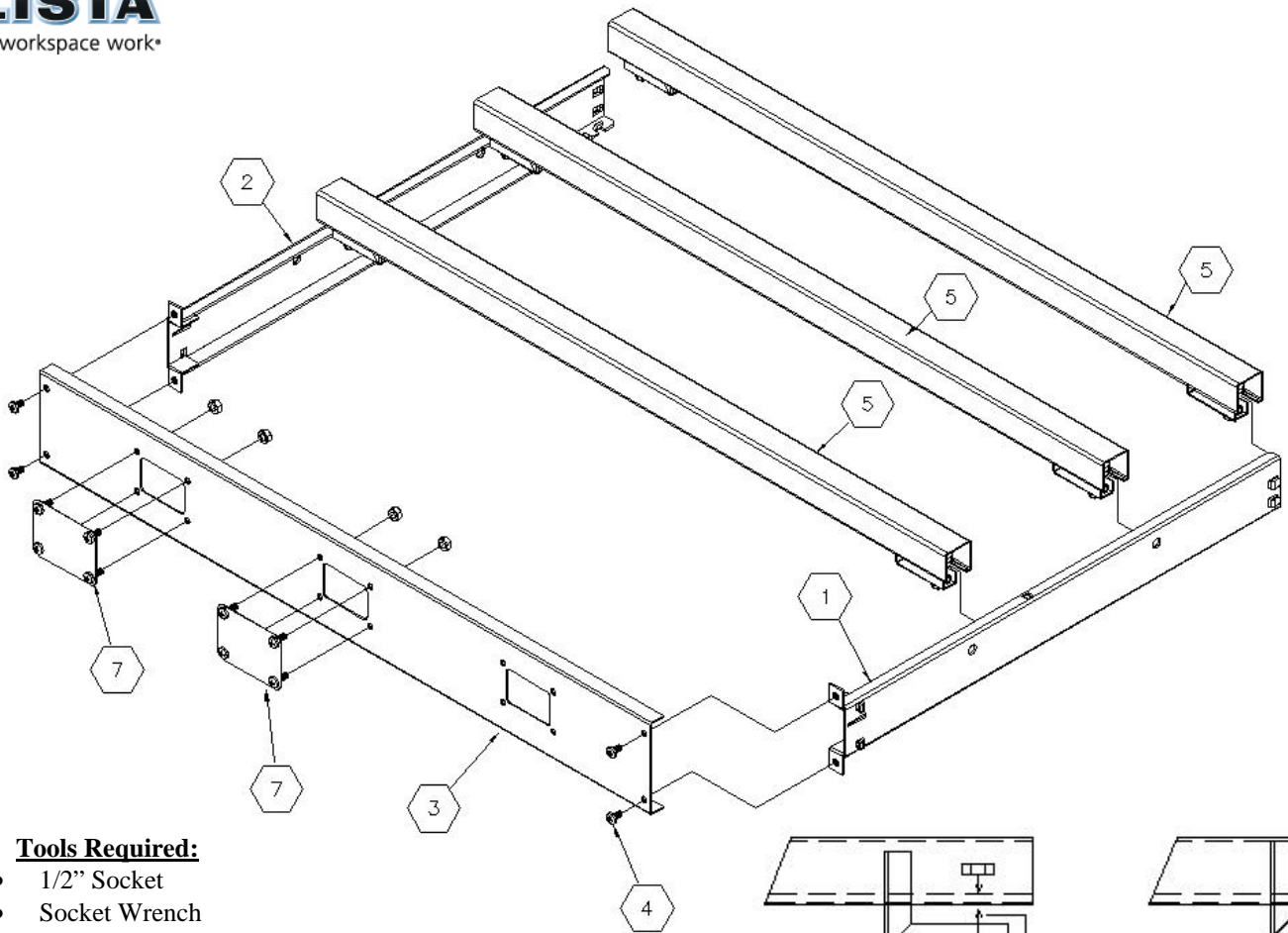


III. Hose Reel Assembly Notes:

Be sure to have all required hanger kits prior to assembly. Additional kits cannot be installed easily after hose reels are mounted. The hardware to attach the hose reels to hanger kits is not included, but recommended hardware is as follows:

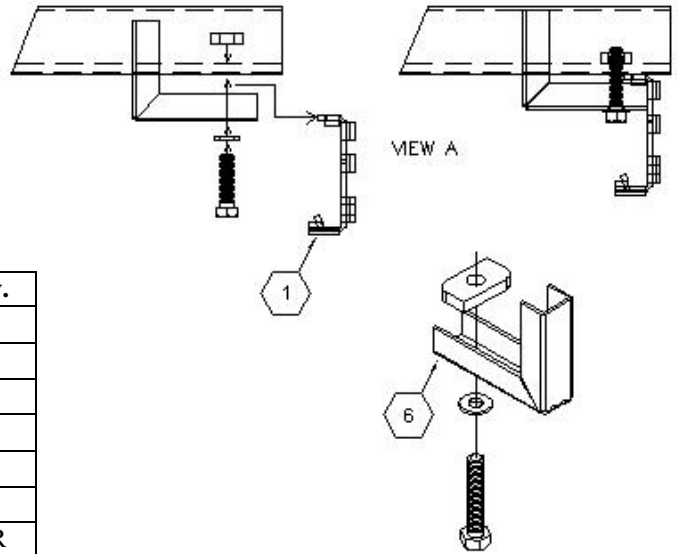
- Nut - 5/16-18" Unistrut Channel Nut or equivalent
- Bolt - 5/16-18 X 1 1/4" Hex Head or equivalent
- Washer - 5/16" Flat Washer or equivalent

In some cases, rear hanger kits may butt against each other (see above) in order to accommodate multiple mounting depths



IV. Tools Required:

- 1/2" Socket
- Socket Wrench
- Socket Extension (Optional)
- Phillips Screwdriver - #2
- 7/16" Wrench



Item 5 & 6 together are referred to as one (1) Hanger Kit

V. Parts List / Components:

Item	Description	Qty.
1	Right Hose Reel Track (Factory Installed)	1
2	Left Hose Reel Track (Factory Installed)	1
3	Hose Reel Face Plate (Factory Installed)	1
4	1/4-20 x 1/2" Phillips Head Truss Screw	4
5	Unistrut Channel	3
6	Unistrut Mounting Bracket & Hardware	6
7	Hose Reel Cover Plate w/ Mounting Hardware	A/R

Steps:

1. Place one (1) Unistrut channel (Item 5) on the top flange of both left & right tracks (Item 1 & 2)
 - a) This channel will need to be installed at an angle due to its length, and then straightened out
2. Insert one (1) Unistrut mounting bracket & hardware (Item 6) into each end of Unistrut channel as shown in View A
3. Slide the Unistrut mounting brackets (Item 6) towards the hose reel tracks so that the bracket clamps underneath the top flange of the hose reel track and is flush with the inside of the track – see View A
4. Tighten until the bolt on each mounting bracket is snug – make sure the inside nut / plate sits across the Unistrut channel
 - a) The top flange of the hose reel track should be sandwiched (clamped) between the Unistrut and the mounting brackets
5. Repeat steps #1-4 for other hanger kits.
6. Position the Unistrut channels front-to-back as explained in Section II, Hose Reel Mounting Pattern
7. Mount hose reels onto Unistrut following manufacture's instructions
8. After all hanger kits and hose reels are positioned correctly tighten all bolts (Unistrut mounting brackets, hose reel bolts)
9. When hose roller guides are used, mount the roller guides onto face plate (Item 3) following manufacture's instructions
 - a) Roller guide mounting holes are based on Reelcraft® Roller Guides – P/N HR 1145
10. If cover plate (Item 7) is required, install using screws and nuts provided. Place screws through cover and face plate and secure with kep nuts behind the face plate.

Making Workspace Work™ is a trademark of Lista International Corporation.

Document Number: MD042A3

Revision: 1

Print Date: February 2011

This manual is proprietary information of Lista International Corporation. Unauthorized reproduction of any portion of this manual is prohibited without the written consent of Lista International Corporation. The material in this manual is for informational purposes only. It is subject to change without notice.

© 2011 by Lista International Corporation

106 Lowland Street

Holliston, Ma. 01746-2094

All rights reserved